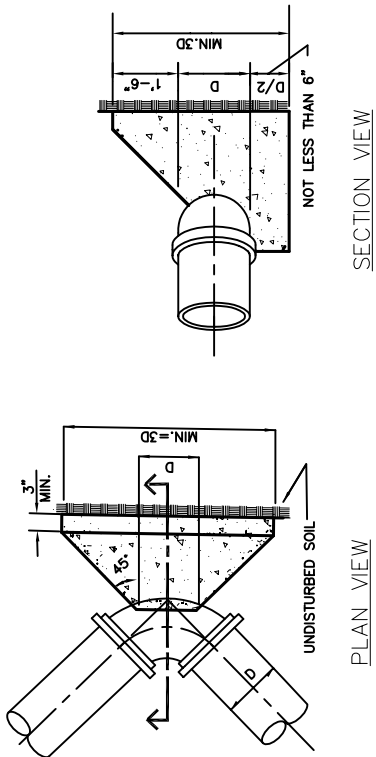
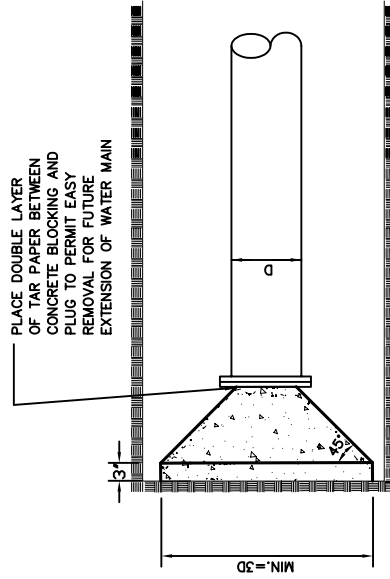


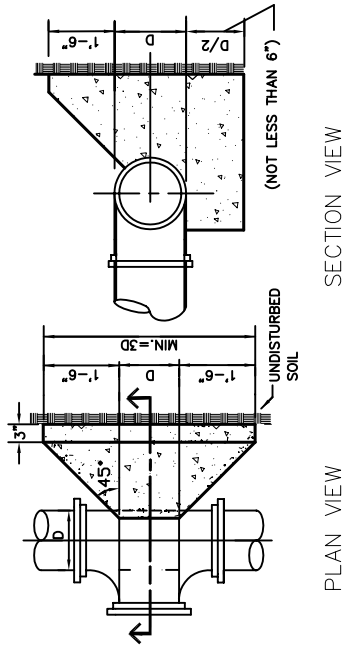
45 - DEGREE BEND



90 - DEGREE BEND



S.J. PLUG



TEE

CONCRETE THRUST BLOCK

Revised: April 2008

City of Madison
Engineering Department
Concrete Thrust Block
Bends and Tees



PO Box 308
116 W. Center Street
Madison, SD 57042
Phone: (605)256-7514
Fax: (605)256-7511