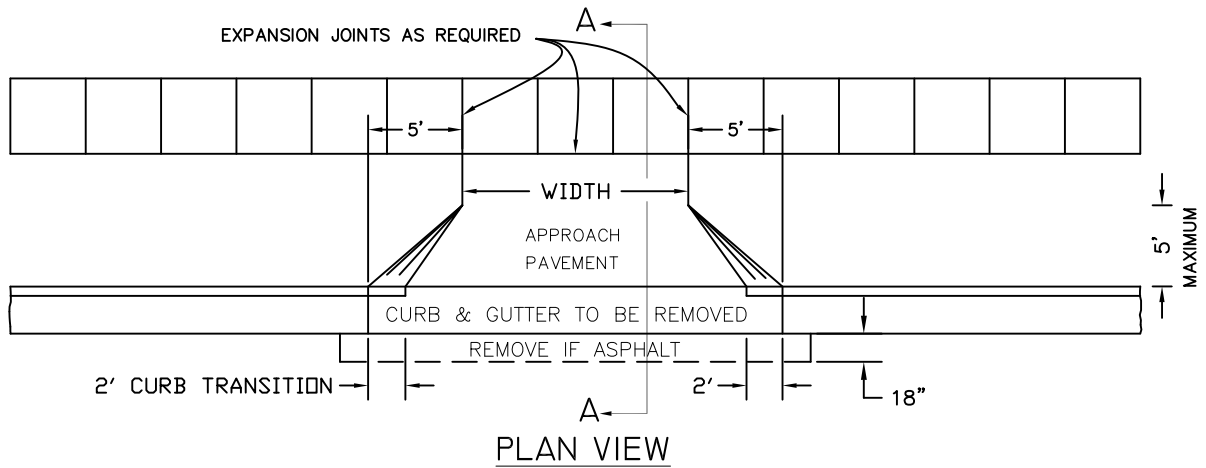
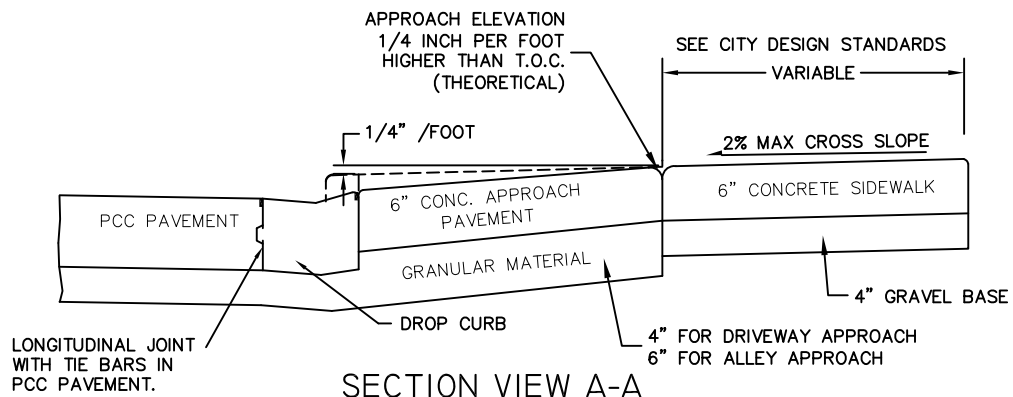
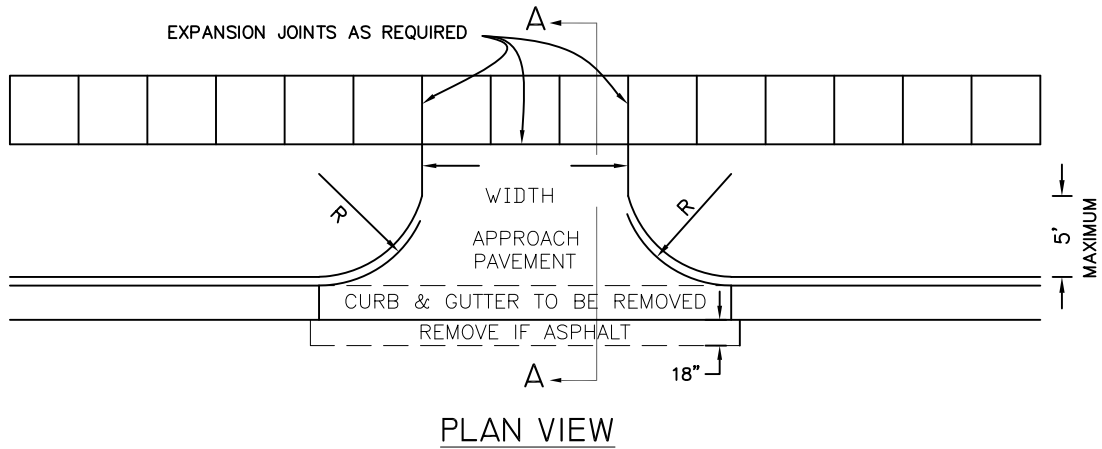


DROP CURB TYPE APPROACH



RADIUS TYPE APPROACH



(APPLIES TO BOTH DROP CURB & RADIUS TYPE)

Revised: October 2020

City of Madison
Engineering Department
Drop Curb and Radius
Type Approaches



116 W. Center Street
Madison, SD 57042
Phone: (605)256-7514
Fax: (605)256-7511