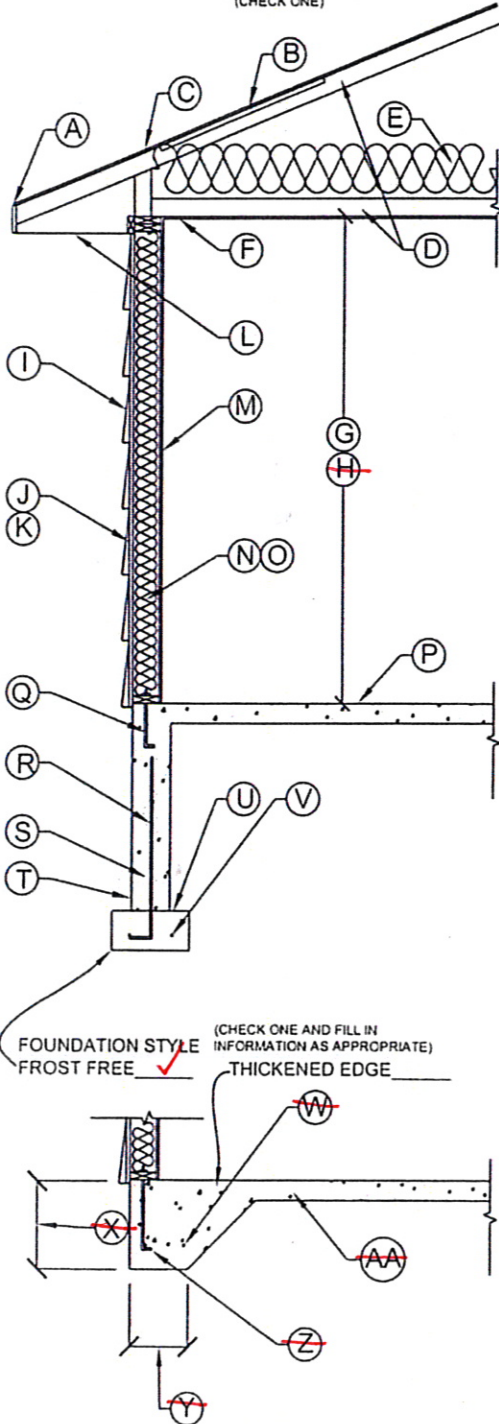


### TYPICAL WALL SECTION - GARAGE

ROOF STYLE    HIP \_\_\_\_\_ GABLE  (CHECK ONE)



- (A) FASCIA BOARD
- (B) ROOF SHEATHING
- (C) ROOFING MATERIAL
- (D) TRUSS OR ROOF JOIST
- (E) CEILING INSULATION
- (F) CEILING SHEETROCK THICKNESS
- (G) CEILING HEIGHT 1ST FLOOR
- (H) CEILING HEIGHT 2ND FLOOR
- (I) TYPE OF SIDING
- (J) EXTERIOR WALL SHEATHING
- (K) MOISTURE / VAPOR BARRIER
- (L) SOFFIT AND OVERHANG
- (M) WALL SHEETROCK THICKNESS
- (N) EXTERIOR WALL STUDS
- (O) WALL INSULATION
- (P) CONCRETE SLAB
- (Q) ANCHOR BOLT
- (R) REBAR IN FOUNDATION WALL
- (S) WALL THICKNESS
- (T) TYPE DAMPROOF/WATERPROOF
- (U) FOOTING SIZE
- (V) REBAR IN FOOTING
- (W) REBAR IN FOOTING
- (X) DEPTH OF THICKENED EDGE
- (Y) WIDTH OF THICKENED EDGE
- (Z) ANCHOR BOLT
- (AA) CONCRETE SLAB THICKNESS

SIZE 2x10    MATERIAL LP Weather Best  
 TYPE Oriented Strand Board THICKNESS 1/2"  
30 year Laminated Shingle  
 TRUSS  JOIST \_\_\_\_\_ @ 24" O.C. (CHECK ONE)  
 TYPE Pro Pink THICKNESS OR R-VALUE R 38  
5/8"  
8' - 0'  
NA - NA'  
Hardi Plank Lap Siding 7/16" Nom. Thickness  
 TYPE Oriented Strand Board THICKNESS 1/2"  
One layer of No. 15 asphalt felt lapped > 6"  
 SOFFIT MATERIAL Metals OVERHANG WIDTH 2'  
1/2"  
2" x 6" @ 16" O.C.  
 TYPE Fiberglass THICKNESS OR R-VALUE R-13  
 THICKNESS 4"  
 SIZE 1/2" @ 6' O.C. EMBEDDED 7"  
 HORIZONTAL REBAR SIZE #4 @ 2' O.C.  
 VERTICAL REBAR SIZE #4 @ 4' O.C.  
 THICKNESS 8"  
 TYPE 60-mil solvent free liquid applied syn. rubber  
8" x 16"  
 SIZE #4 NUMBER ROWS 2 CONTINUOUS  
 SIZE NA NUMBER ROWS NA CONTINUOUS  
 DIMENSION = NA  
 DIMENSION = NA  
 SIZE NA @ NA" O.C. EMBEDDED NA" O.C.  
 CONCRETE SLAB THICKNESS NA"

FOUNDATION STYLE (CHECK ONE AND FILL IN INFORMATION AS APPROPRIATE)  
 FROST FREE  THICKENED EDGE \_\_\_\_\_

\*THIS SHEET IS INTENTIONALLY GENERIC SO YOU CAN FILL IT OUT ACCORDING TO YOUR CONSTRUCTION PROJECT. SOME OF THESE ITEMS MAY NOT APPLY TO YOUR BUILDING SO MARK THESE ITEMS WITH AN "NA" OR "NONE". ON A SIMILAR TOPIC. PLEASE ALSO DRAW IN AND NOTE INFORMATION THAT IS NOT ON THIS SHEET BUT DOES APPLY TO YOUR BUILDING.